

# HEADER TANK FUEL SENSOR

## Description:

The Header Tank Fuel sensor is designed to indicate the low fuel condition in header tank of Penguin B UAV. The sensor provides TTL output, where “HIGH” indicates low fuel condition.

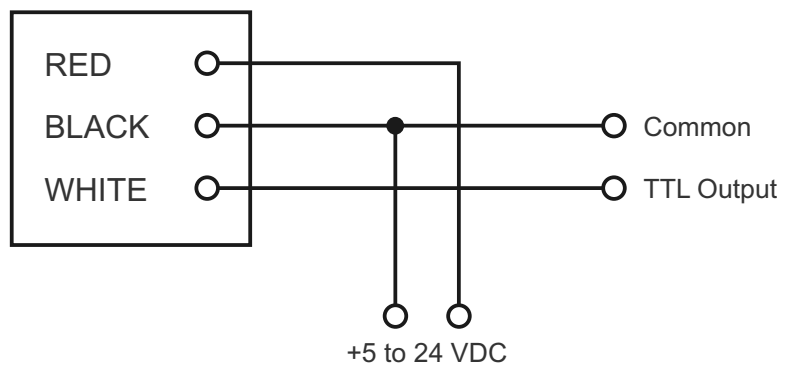


## Specifications:

Parameter	Value
Repeatability	±0.1" (2.54mm)
Response Time	200 millisecond
Input Power	5VDC to 24 VDC
Leakage Current	Less than 50µA
Output	TTL (high)-Low Fuel Level

## Wiring:

Wire color	Description
RED	+5 to 24 VDC
BLACK	Common (Ground)
WHITE	TTL Output



## Sensor Mounting:

The sensor is located so that the low fuel condition occurs at approximately 40% of the header tank volume. The sensor can be relocated by user in order to change the position of the measurement.

After the fuel level sensor indicates the low fuel condition it is essential to land the UAV immediately.

## Revision History:

Revision	Date	Description	Edited by
1.0	05/11/2011	Initial datasheet made	A.Guks